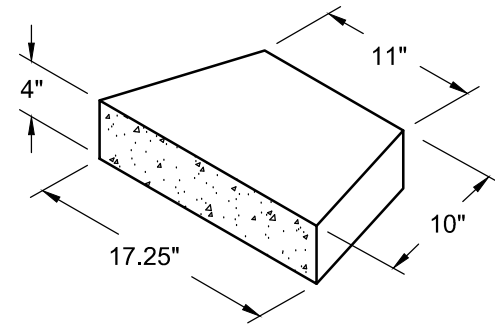
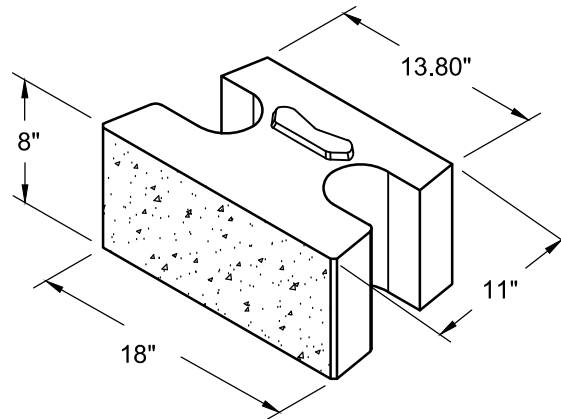
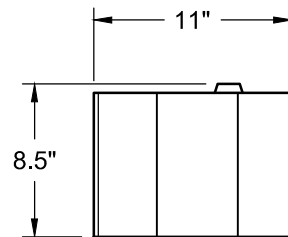


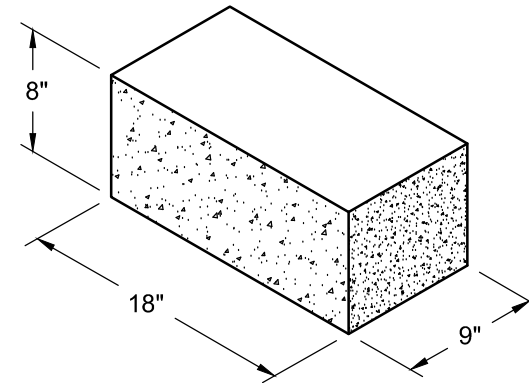
TOP VIEW



FRONT VIEW



SIDE VIEW



© 2015 Anchor Wall Engineering, LLC  
 © and ™ Anchor Wall Systems, Inc.  
[www.anchorwall.com](http://www.anchorwall.com)

This drawing is for illustrative purposes only and should not be used for construction without the signature of a registered professional engineer.

## Vertica® Straight Face Retaining Wall System

### Individual Block Details

Scale:  
3/8" = 1'-0"

Drawn by:  
JB

Date:  
1/19/2016

Drawing number:  
VTST01