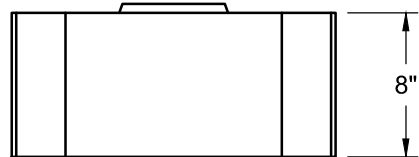
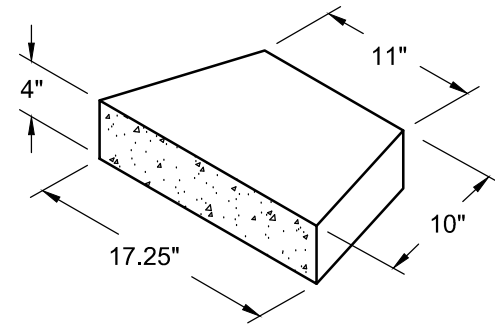
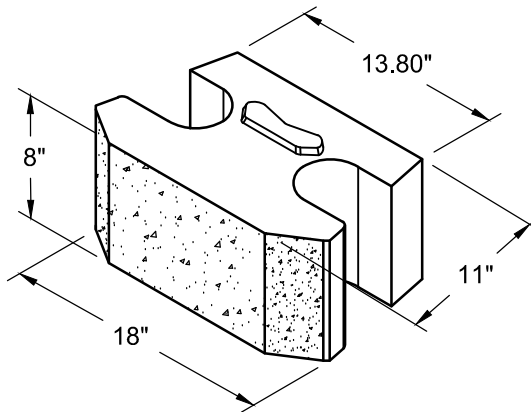
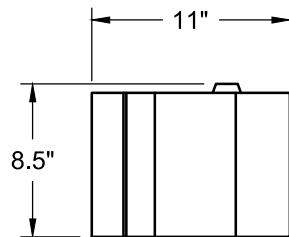


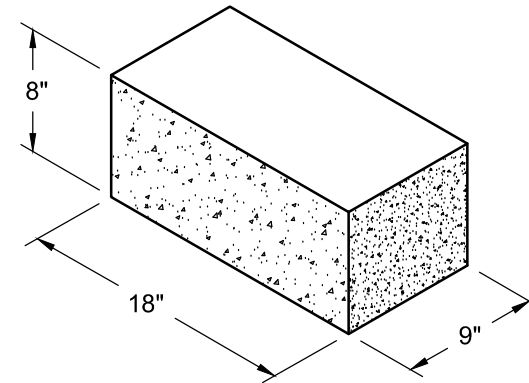
TOP VIEW



FRONT VIEW



SIDE VIEW



© 2015 Anchor Wall Engineering, LLC
 © and ™ Anchor Wall Systems, Inc.
www.anchorwall.com

This drawing is for illustrative purposes only and should not be used for construction without the signature of a registered professional engineer.

Vertica® Beveled Face Retaining Wall System

Individual Block Details

Scale:
3/8" = 1'-0"

Drawn by:
JB

Date:
1/19/2016

Drawing number:
VTBV01