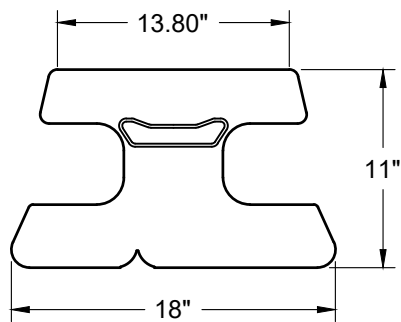
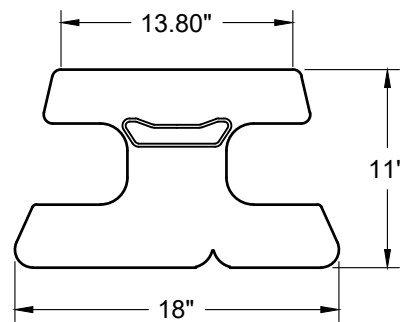


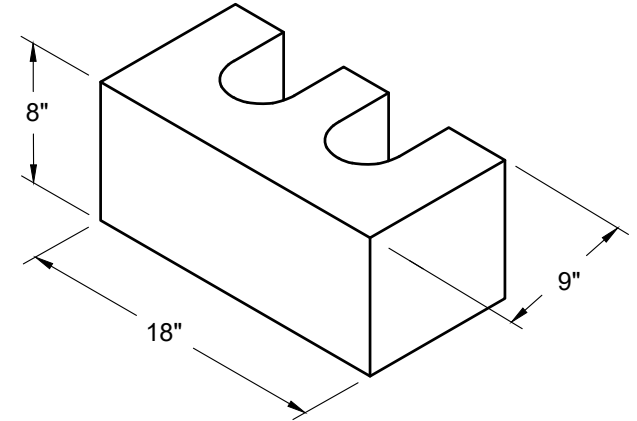
CAP UNIT



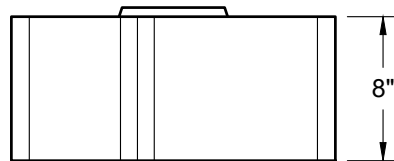
LEFT JOINT - TOP VIEW



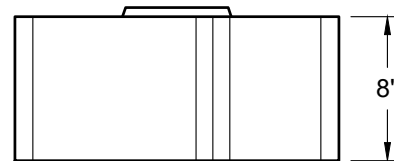
RIGHT JOINT - TOP VIEW



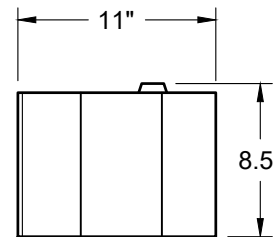
CORNER UNIT



LEFT JOINT - FRONT VIEW



RIGHT JOINT - FRONT VIEW



SIDE VIEW



This drawing is for illustrative purposes only and should not be used for construction without the signature of a registered professional engineer.

www.anchordiamond.com

© 2026 ANCHOR Engineering, LLC®
and © 2026 ANCHOR DIAMOND Group. All rights reserved

Vertica® Retaining Wall System

INDIVIDUAL BLOCK DETAILS - VIRTUAL JOINT

Scale:	N.T.S	Drawn by:	MAH
Date:	6/3/2026	Drawing number:	VT36