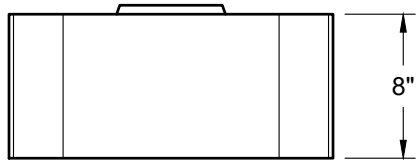
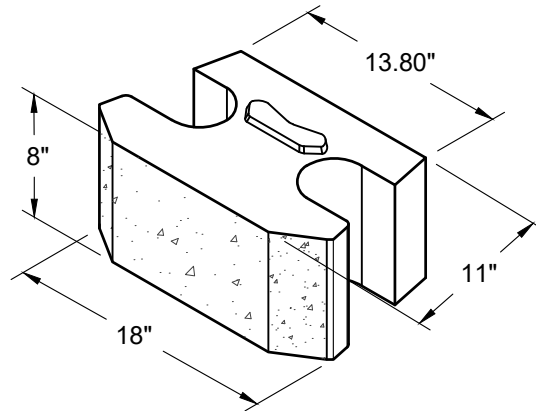
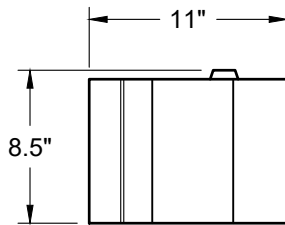


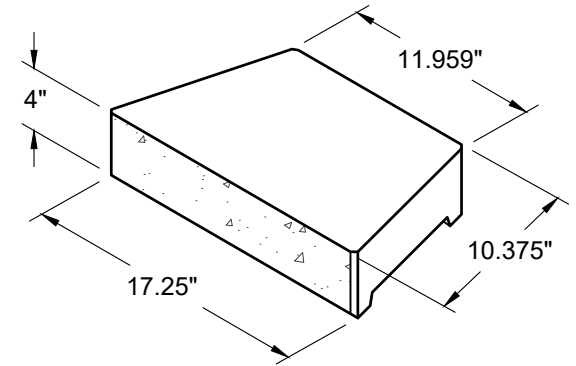
TOP VIEW



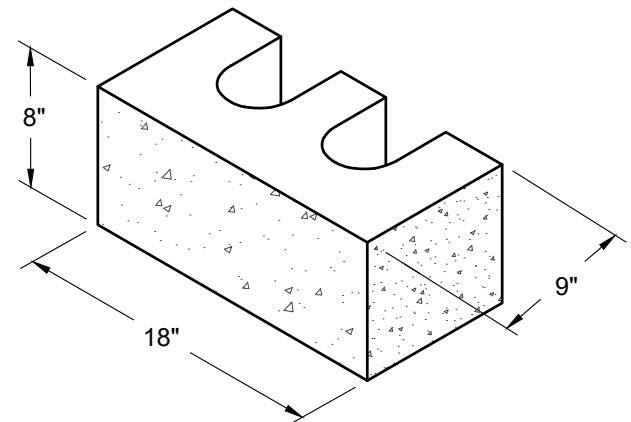
FRONT VIEW



SIDE VIEW



CAP UNIT



CORNER UNIT



This drawing is for illustrative purposes only and should not be used for construction without the signature of a registered professional engineer.

www.anchordiamond.com

© 2026 ANCHOR Engineering, LLC®  
and © 2026 ANCHOR DIAMOND Group. All rights reserved

Vertica® Retaining Wall System

INDIVIDUAL BLOCK DETAILS - BEVELED FACE

Scale: N.T.S	Drawn by: MAH
Date: 6/3/2026	Drawing number: VT33