

TORPEDO® BASE BLOCK

DEVELOPED BY
ANCHOR
DIAMOND
WALL INDUSTRY EXPERTS

MULTI-PIECE SYSTEM

INSTALLATION INSTRUCTIONS (1 OF 2)

PREPARE LEVELING PAD

Excavate for the leveling pad. The trench should be a minimum of 24 inches wide and should be 10 inches deep.

Create a leveling pad of compacted base material that extends a minimum of 6 inches in front of and 6 inches behind the Torpedo® base blocks. This leveling pad should be at least 6 inches deep after compaction.

BASE COURSE

Install the Torpedo® base blocks with the hand-holds down. Place the blocks end to end so the outside curve of one block fits into the inside curve of the block next to it. The blocks are shaped to fit together to hold their position as they are placed.

Note: When using Artisana™, Brisa® or Matiz™ retaining wall blocks, pitch the base course back 1/16-inch for each foot of wall height to keep the wall level on higher courses. Example: If wall is 3 feet high, pitch the back of the Torpedo® base block into your slope a minimum of 3/16-inch.

The Torpedo® base block's locator marks guide accurate placement:

- For a straight line, align the center locators
- For an 8-foot radius align the first notch to the right and left of the straight locator
- For a 4-foot radius, use the next set of notches in either direction

Blocks should touch. Level blocks front to back and side to side with a dead-blow hammer.

STEPPING UP THE BASE

Walls built on a sloping grade require a stepped base. Begin excavation at the lowest point and dig a level trench, 24 inches wide, into the slope until it is deep enough to accommodate the base material and one entire base block.

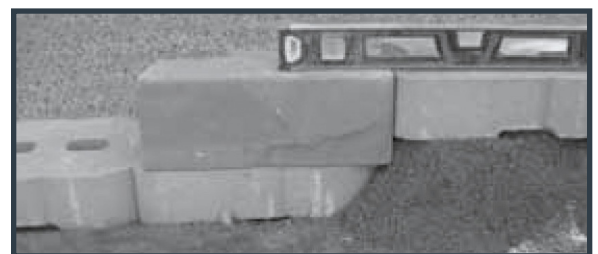
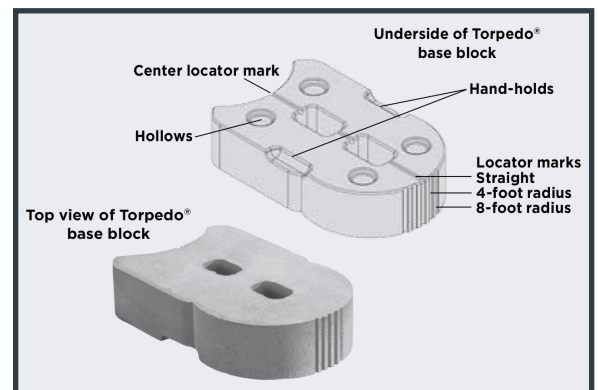
At this point step up the height of one block and begin a new section of base trench. Use a 6-inch high unit on the base course to level the base unit that is stepped up. Continue to set up as needed to top of slope. Always bury at least one full base block at each stepup.



Trench



Base Course



Step Up

Torpedo® base block videos can be found at www.youtube.com/anchorwallsystems.

TORPEDO® BASE BLOCK

DEVELOPED BY
ANCHOR
DIAMOND
WALL INDUSTRY EXPERTS

MULTI-PIECE SYSTEM

SUBSEQUENT WALL COURSES

Install wall courses per your project's plan.

RETAINING WALL BASICS

Segmental retaining walls typically fall into one of three categories:

GRAVITY RETAINING WALL

The first category—a gravity wall—is a retaining wall that does not use soil reinforcement. A gravity wall has height limitations specific to each product. An advantage of this type of retaining wall is that it requires a smaller work area behind the wall. A gravity wall relies on the weight and setback of the block to resist the soil forces being exerted on the wall.

GEOSYNTHETIC-REINFORCED RETAINING WALL

The second category is a geosynthetic-reinforced wall, which needs to be designed by a qualified engineer. There are (theoretically) no height limitations with reinforced retaining walls, and they are used in larger applications. It requires more work area behind the structure.

The block of soil is stabilized by introducing reinforcement layers into the soil mass behind the facing units. The larger the stabilized soil mass, the more soil can be retained or held back. The geosynthetic reinforcement in the soil extends past the theoretical failure plane and serves to create a large, rectangular mass of block and soil, restraining the retained soil.

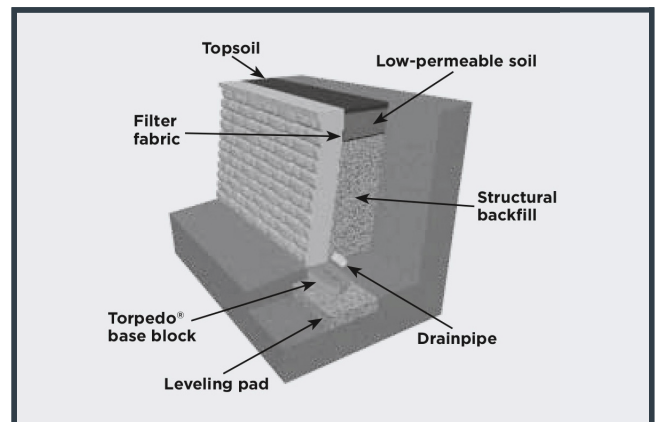
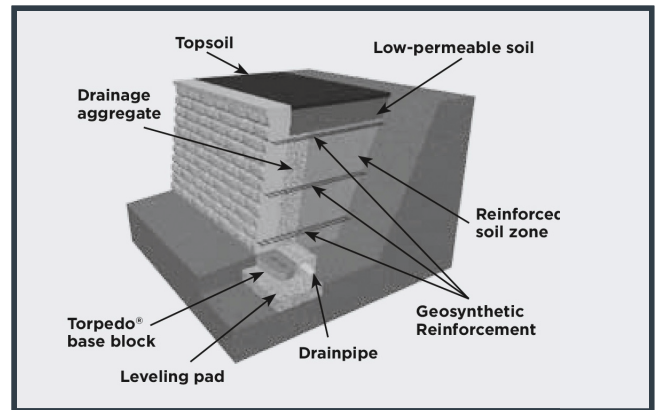
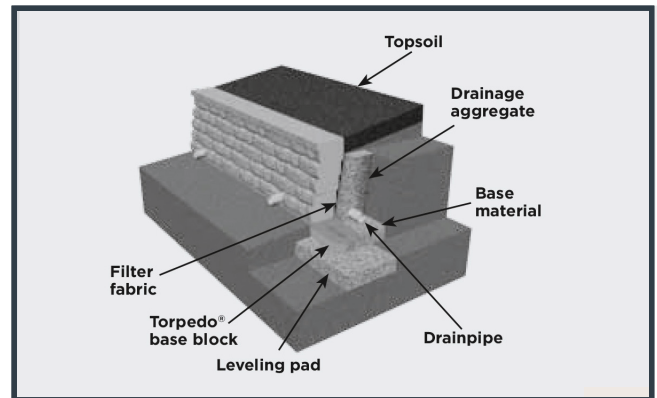
ANCHORPLEX™ SYSTEM

The third category is the Anchorplex™ system, which offers a unique, nonconventional solution to problematic wall construction sites. It is a retaining wall built with Anchor™ products and structural backfill specified by Anchor Wall Systems, and backed by engineering support tools developed by Anchor.

Use of the Anchorplex™ system completely eliminates the need for the construction of a mechanically stabilized earth zone behind the wall facing and requires substantially less excavation than is usually necessary in geosynthetic-reinforced wall construction.

Contact Anchor Diamond for more information about designing and building with the Anchorplex™ system.

INSTALLATION INSTRUCTIONS (2 OF 2)



ANCHOR DIAMOND Group
5909 Baker Rd. Suite 550
Minnetonka, MN 55345

©2023 ANCHOR DIAMOND Group. All rights reserved.
AD23-005 01/23