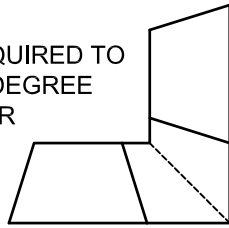
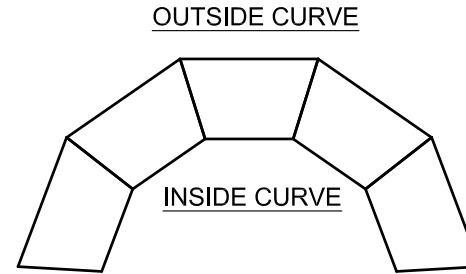
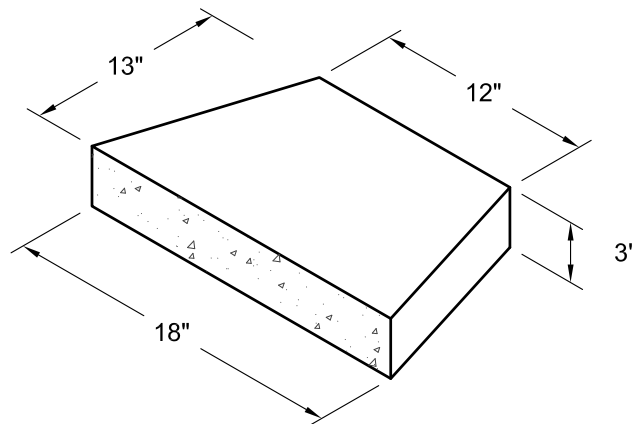


SAW CUT AS REQUIRED TO
CONSTRUCT 90 DEGREE
MITERED CORNER



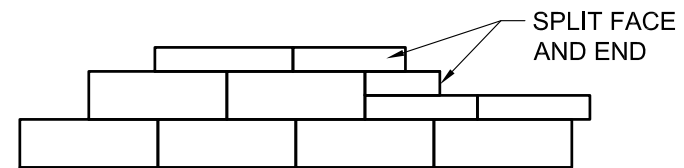
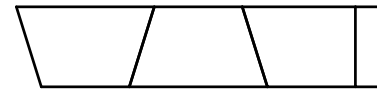
CORNER



OUTSIDE CURVE

INSIDE CURVE

STRAIGHT RUN



SPLIT FACE
AND END

WALL FACE

NOTES:

1. ALWAYS START CAPPING WALL FROM THE LOWEST ELEVATION.
2. LAY OUT CAPS PRIOR TO USING ADHESIVE.
3. CUT CAPS TO FIT.
4. ALTERNATE SHORT AND LONG CAP FACES EVERY OTHER CAP TO ACHIEVE A STRAIGHT ROW OF CAPS.
5. AFFIX ALL UNITS WITH A CONCRETE ADHESIVE



© 2017 Anchor Wall Engineering, LLC
© and ™ Anchor Wall Systems, Inc.
www.anchorwall.com

This drawing is for illustrative purposes only and should not be used for construction without the signature of a registered professional engineer.

Sterling™ Freestanding Wall System

Capping Details

Scale:
1/2" = 1'-0"

Drawn by:
SB

Date:
2/2/2018

Drawing number:
SRFS03