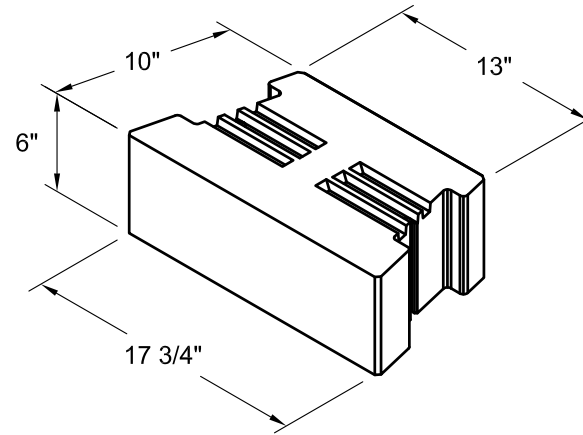
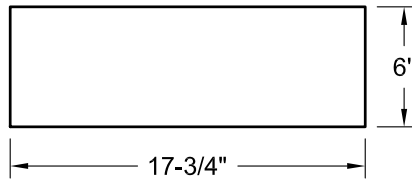


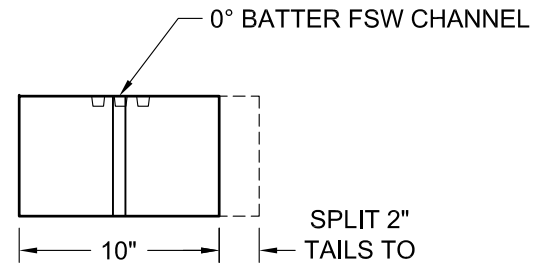
TOP VIEW



ISOMETRIC VIEW



FACE VIEW



SIDE VIEW

0° BATTER FSW CHANNEL
 SPLIT 2"
 TAILS TO
 CREATE
 FREESTANDING
 WALL UNITS



© 2017 Anchor Wall Engineering, LLC
 © and ™ Anchor Wall Systems, Inc.
www.anchorwall.com

This drawing is for illustrative purposes only and should not be used for construction without the signature of a registered professional engineer.

Sterling™ Freestanding Wall System
Individual Block Details

Scale: None	Drawn by: SB
Date: 2/2/2018	Drawing number: SRFS01