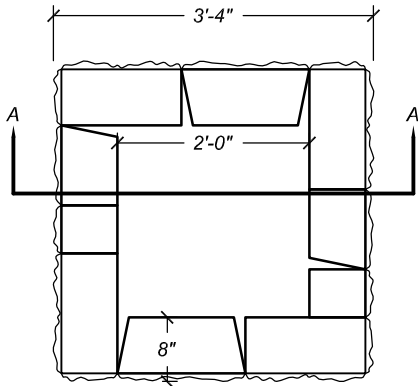


COURSE 1

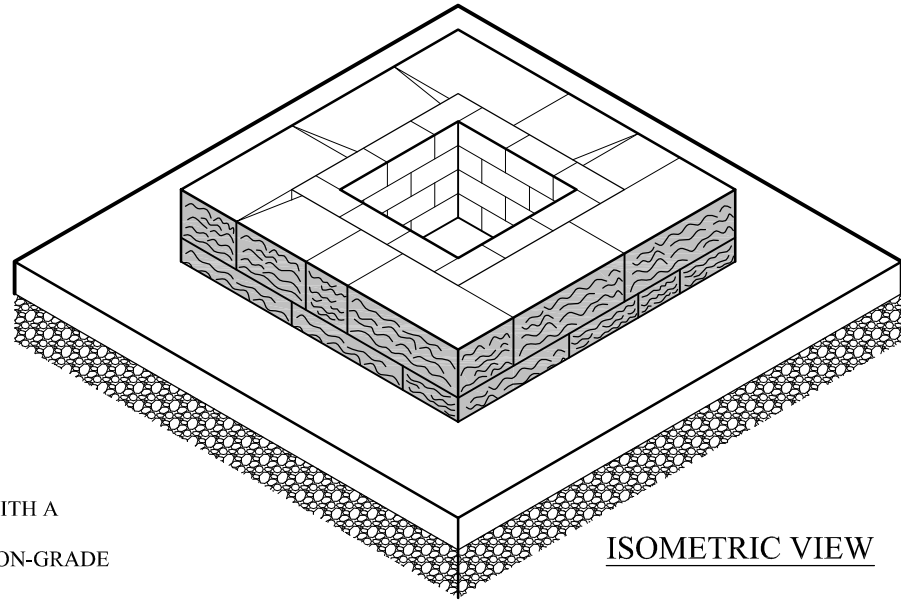


COURSE 2

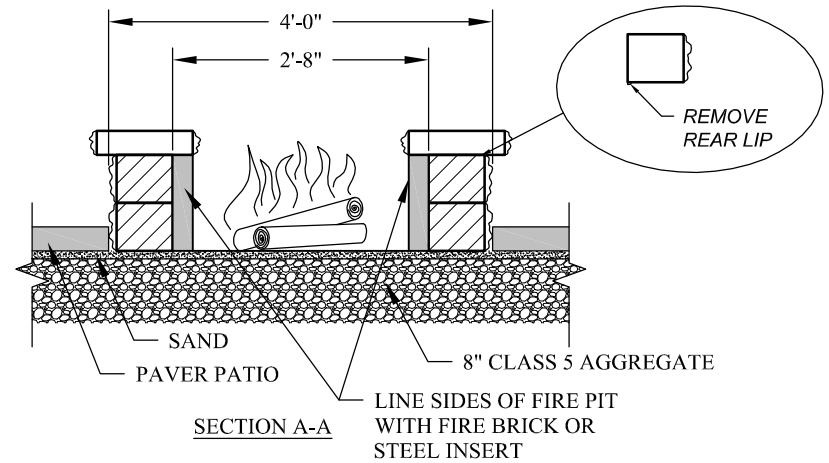
NOTES:

- 1) INSIDE OF FIRE PIT MUST BE LINED WITH A HEAT-RESISTANT MATERIAL.
- 2) AFFIX ALL UNITS WITH CONSTRUCTION-GRADE ADHESIVE.
- 3) THESE BLOCKS ARE NOT FIREPROOF AND COULD START TO CRACK UNDER EXTREME HEAT. THESE BLOCKS ARE INTENDED FOR LANDSCAPE APPLICATIONS AND ARE NOT FIRE-RATED. OVER TIME THE BLOCKS MAY CRACK. A POSSIBLE SOLUTION IS TO USE HEAVY FIRE-RATED BRICKS OR A STEEL LINER ON THE INTERIOR OF AN ABOVE- OR BELOW-GROUND FIRE PIT WITH THE BLOCKS OUTSIDE THE PERIMETER. AGAIN, THE HEAT MAY ADVERSELY AFFECT LANDSCAPE PRODUCTS, EVEN WITH AN INTERIOR HEAT-RESISTANT BARRIER IN PLACE.

| | |
|----------------------|---|
| PIECE COUNTS: | |
| COLUMN/CORNER | 8 |
| 6X16 | 5 |
| 6X10 | 3 |
| 6X6 | 3 |



ISOMETRIC VIEW



Anchor Wall Systems, Inc.
5959 Baker Road, Suite 390
Minnetonka, MN 55345

© 2013 Anchor Wall Systems, Inc.
® and ™ Anchor Wall Systems, Inc.

Drawn By: SB
Date: 12/3/2013
Scale: 1/2" = 1'-0"

Drawing Title: **Matiz™ 6" Multipiece Retaining Wall System**
Square Fire Pit Construction

Typical Details For
Segmental Retaining Walls