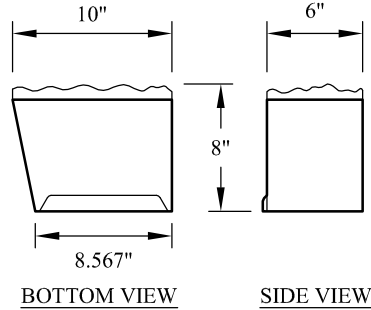
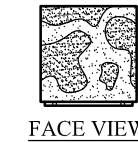
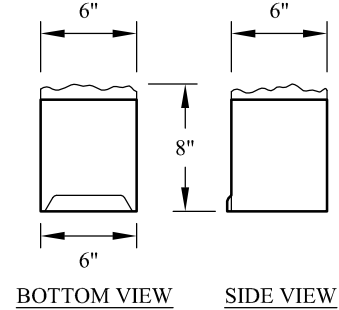


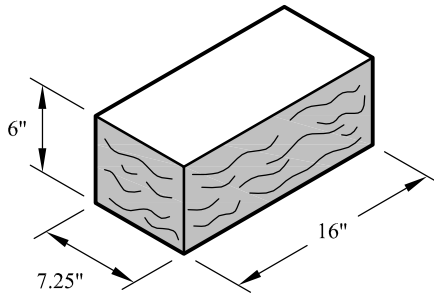
6x16x8 UNIT



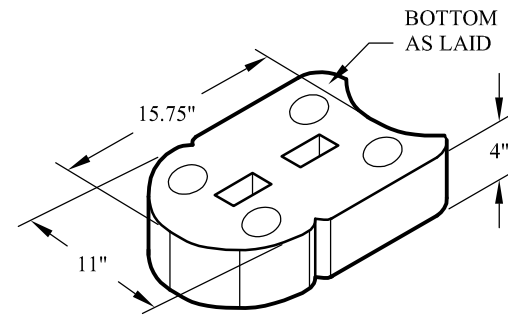
6x10x8 UNIT



6x6x8 UNIT



COLUMN / CORNER UNIT



TORPEDO™ BASE BLOCK

NOTE:
FACE TEXTURES SHOWN ARE
ILLUSTRATIVE ONLY AND ARE
NOT REPRESENTATIVE OF
ACTUAL BLOCK TEXTURES



Anchor Wall Systems, Inc.
5959 Baker Road, Suite 390
Minnetonka, MN 55345

© 2013 Anchor Wall Systems, Inc.
® and ™ Anchor Wall Systems, Inc.

Drawn By: SB
Date: 12/3/2013
Scale: None

Drawing Title:
Matiz™ 6" Multipiece Retaining Wall System
Individual Block Details

Typical Details For
Segmental Retaining Walls