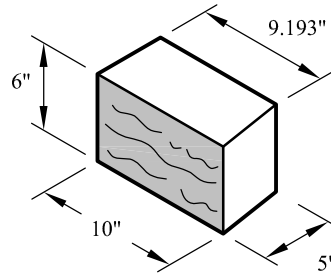
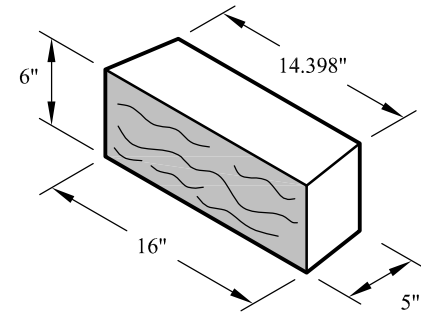


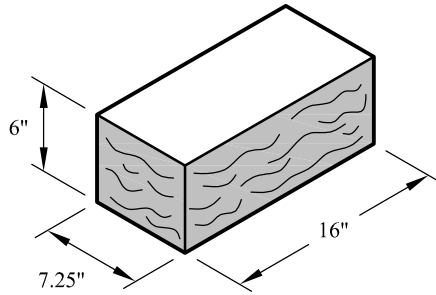
6x6x5 UNIT



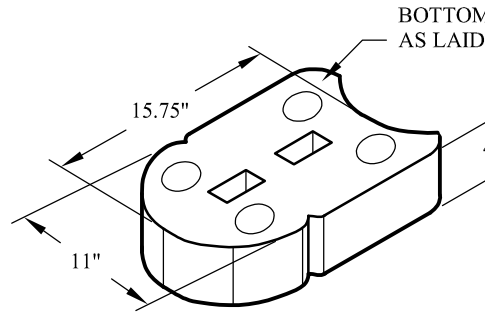
6x10x5 UNIT



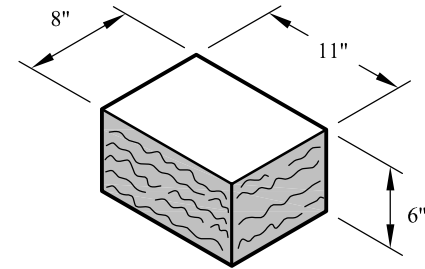
6x16x5 UNIT



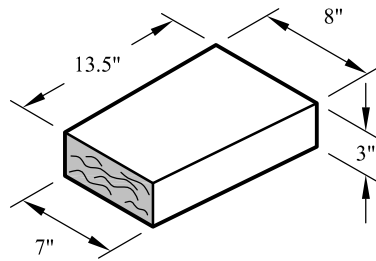
COLUMN UNIT



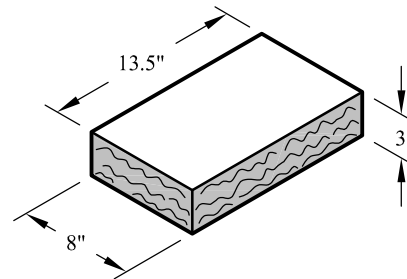
TORPEDO™ BASE BLOCK



WALL END UNIT



CAP UNIT



CAP END UNIT



Anchor Wall Systems, Inc.
5959 Baker Road, Suite 390
Minnetonka, MN 55345

© 2013 Anchor Wall Systems, Inc.
® and ™ Anchor Wall Systems, Inc.

Drawn By: SB
Date: 12/2/2013
Scale: 1/2"=1'-0"

Drawing Title: **Matiz™ 6" Multipiece Freestanding Wall System**
Isometric Block Views

Typical Details For
Segmental Freestanding Walls