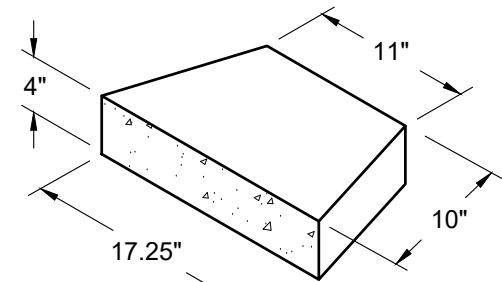
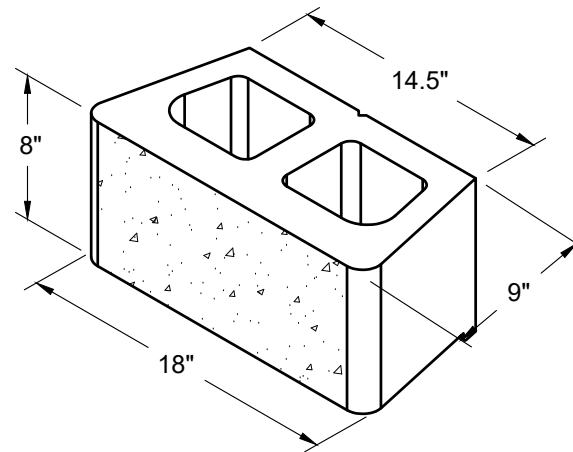


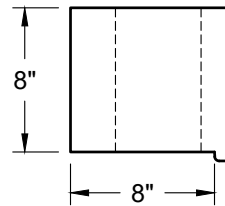
TOP VIEW



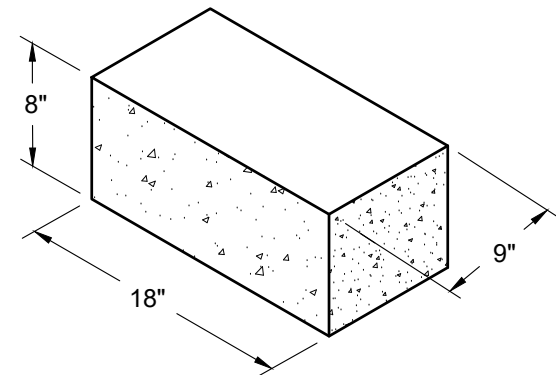
CAP UNIT



FRONT VIEW



SIDE VIEW



CORNER UNIT



© 2018 Anchor Wall Engineering, LLC  
 © and ™ Anchor Wall Systems, Inc.  
[www.anchorwall.com](http://www.anchorwall.com)

This drawing is for illustrative purposes only and should not be used for construction without the signature of a registered professional engineer.

Diamond Pro® 9D Straight II Face Retaining Wall System

Individual Block Details

Scale:	None	Drawn by:	SB
Date:	11/5/2018	Drawing number:	DP9ST201