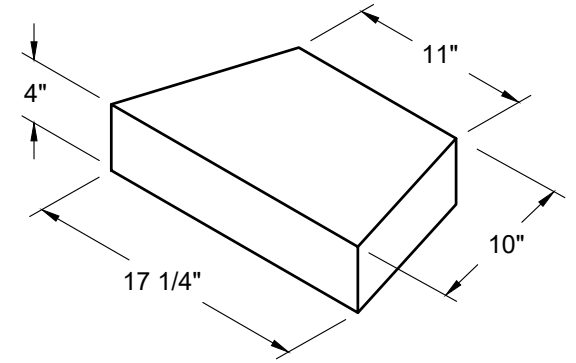
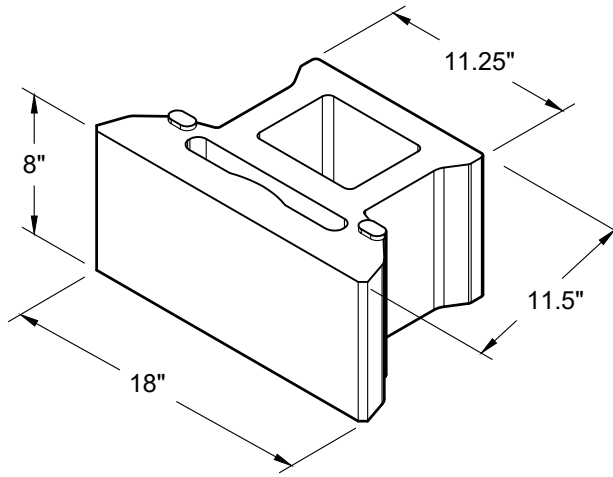
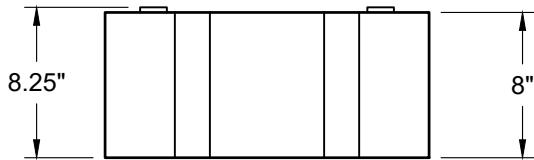


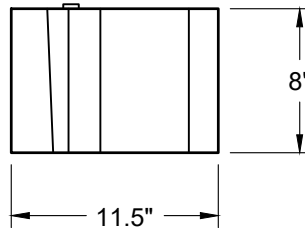
TOP VIEW



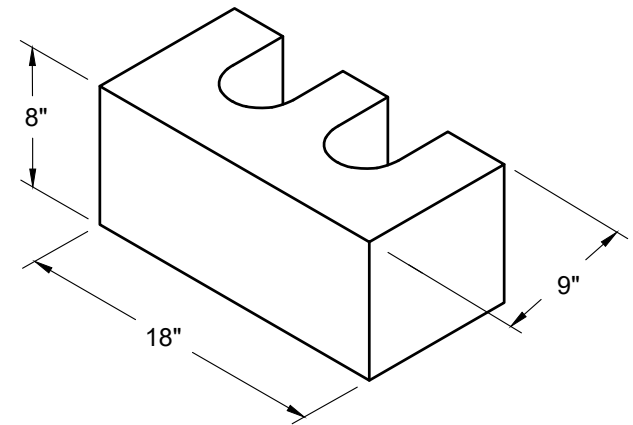
CAP UNIT



FRONT VIEW



SIDE VIEW



CORNER UNIT



This drawing is for illustrative purposes only and should not be used for construction without the signature of a registered professional engineer.

www.anchordiamond.com

© 2024 ANCHOR Engineering, LLC®
and © 2024 ANCHOR DIAMOND Group. All rights reserved

Diamond Pro® Air Retaining Wall System

INDIVIDUAL BLOCK DETAILS - SMOOTH FACE

Scale: N.T.S	Drawn by: MAH
Date: 12/13/2024	Drawing number: DPA37