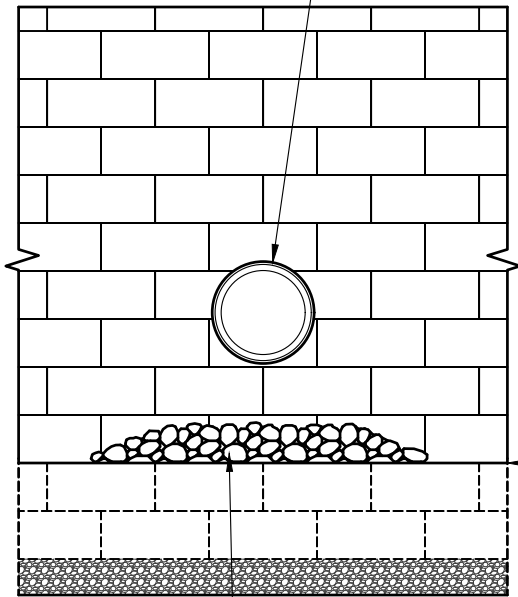


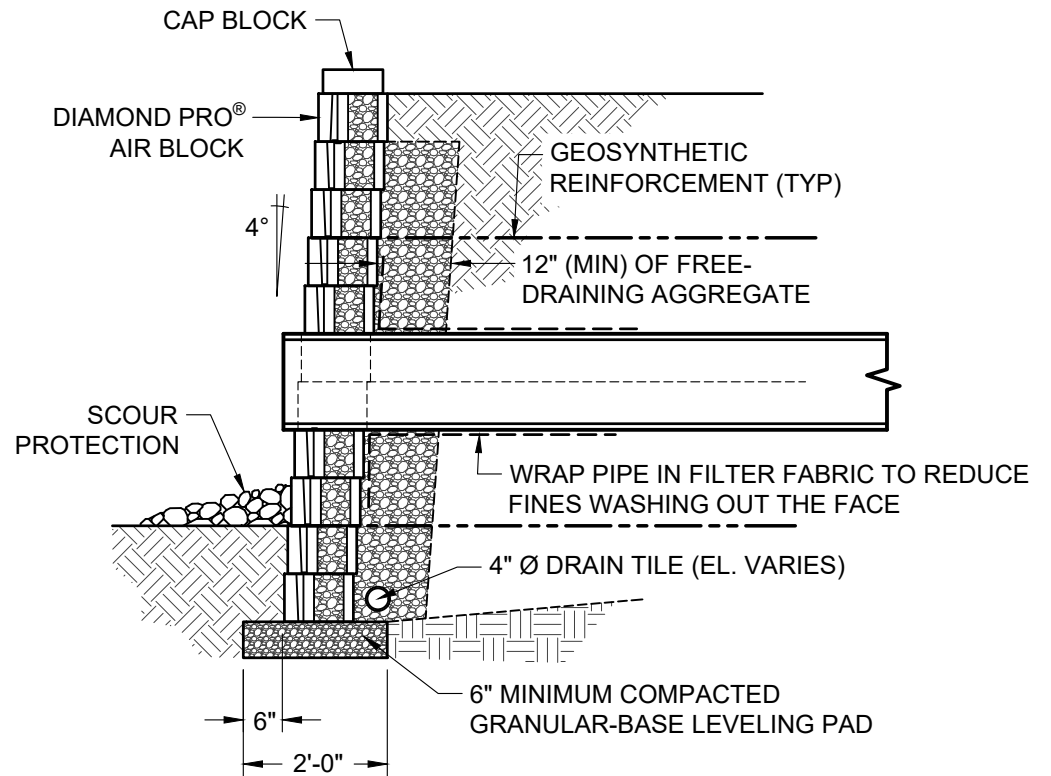
HAND CUT BLOCK UNITS
TO WITHIN $\frac{1}{2}$ " OF PIPE



FINISHED
GRADE

SCOUR PROTECTION AS
REQUIRED. USE RIPRAP OR
PRECAST SLAB IN OUTLET
AREA (DESIGNED BY OTHERS)

FACE VIEW



SECTION VIEW



This drawing is for illustrative purposes only and should not be used for construction without the signature of a registered professional engineer.

www.anchordiamond.com

© 2024 ANCHOR Engineering, LLC®
and © 2024 ANCHOR DIAMOND Group. All rights reserved

Diamond Pro® Air Retaining Wall System

TYPICAL DETAILS FOR SMALL UTILITIES THROUGH WALL

Scale: 3/8" = 1'-0"	Drawn by: MAH
Date: 12/13/2024	Drawing number: DPA21