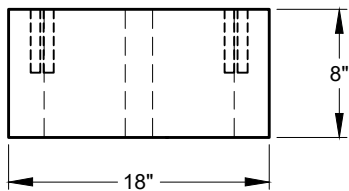
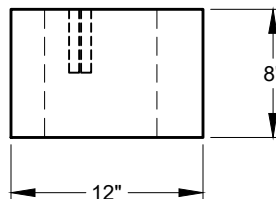


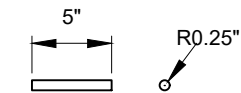
TOP VIEW



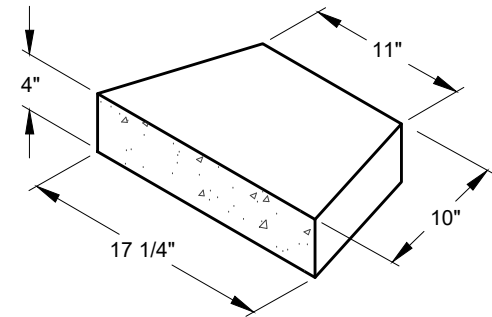
FRONT VIEW



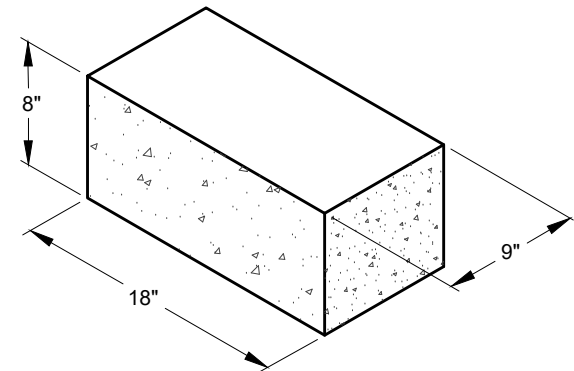
SIDE VIEW



FIBERGLASS PIN



CAP UNIT
(MAY VARY BY MANUFACTURER)



CORNER UNIT
(MAY VARY BY MANUFACTURER)



This drawing is for illustrative purposes only and should not be used for construction without the signature of a registered professional engineer.

www.anchordiamond.com

© 2022 ANCHOR Engineering, LLC® and © 2022 ANCHOR DIAMOND®

Diamond Pro® PS Retaining Wall System

Individual Block Details - Beveled Face

Scale:	3/8" = 1'-0"	Drawn by:	SB
Date:	10/13/2022	Drawing number:	DPSS33