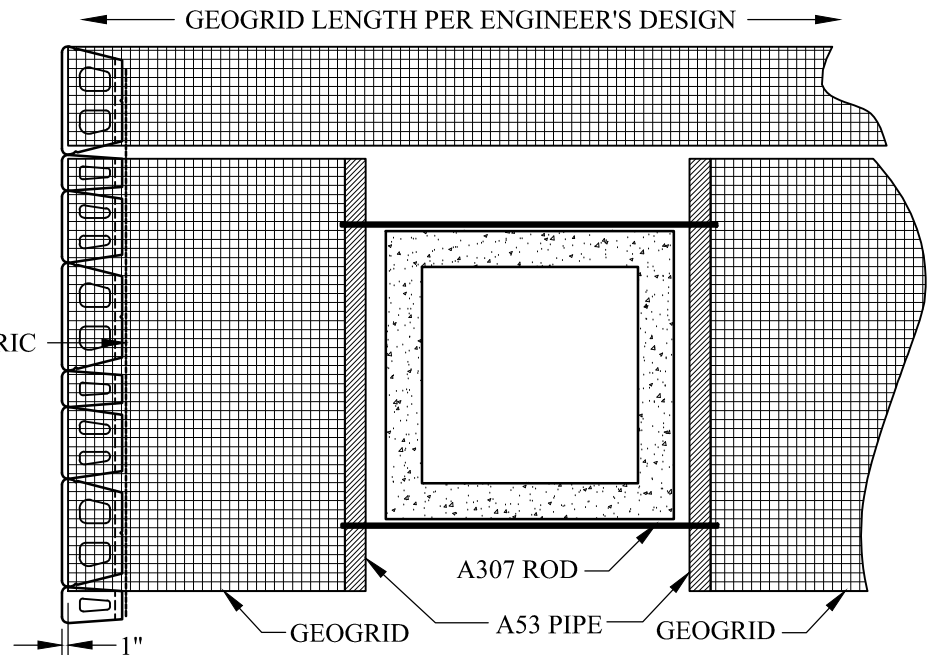
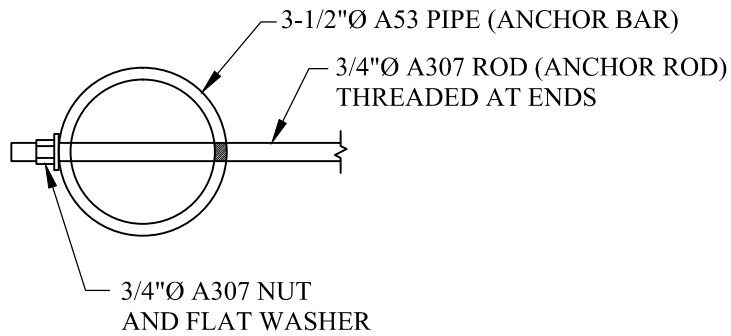


NOTE: PIPE AND BAR SIZES SHOWN ARE MINIMUMS AND MAY REQUIRE ENGINEERING PRIOR TO CONSTRUCTION OF THE SEGMENTAL RETAINING WALLS



Anchor Wall Engineering, LLC
5959 Baker Road, Suite 390
Minnetonka, MN 55345

These graphic representations are intended for preliminary design purposes only and are not to be used for construction without the signature of a registered professional engineer.

© 2012 Anchor Wall Engineering, LLC
® and ™ Anchor Wall Systems, Inc.

Drawn By:
AWE

Date:
3/2/2012

Scale:
3/8"=1'-0"

Drawing Title:
**Bayfield® 6" Multipiece Retaining Wall System
Typical Drop Structure Detail**

Project Information:
Typical Details For
Conventional Retaining Walls